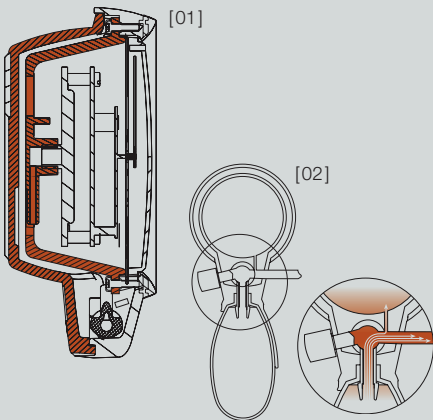




SHOCKPROOF



SHOCKPROOF

[01] Shockproof double-walled construction with unique manometer protection. The robust double-walled construction with a unique triple manometer mount gives ideal protection against shocks, comfortably exceeding both the European EN1060 and the American SP9 tests.

AIR PRESSURE DISTRIBUTION SYSTEM

[02] Single-tube construction with an innovative air pressure distribution system. The valve construction provides ideal air pressure conditions to absorb pressure peaks in the air flow to the manometer during inflation. This advantage was only possible until now with twin-tube systems.



CLINICAL APPROVAL

HEINE GAMMA® G7

The model with aluminium alloy construction and precision valve



Shockproof

Latex-Free

Aluminium upper housing

10 year warranty

- ∴ Shockproof.
- ∴ Latex-Free.
- ∴ Exclusive Pressure-Distribution System.
- ∴ Pressure-Proof Manometer. Ensures durability and reliability.
- ∴ Micro-Filter. Protects valve and manometer.
- ∴ Large-diameter Scale. 56mm diameter black-on-white scale is easy to read.
- ∴ High Quality Indicator. Precisely calibrated, durable and shock resistant.
- ∴ Large Insufflation Bulb. 50% larger bulb volume for fast inflation of the cuff.
- ∴ Exclusive Air-Release Valve. Provides fine and precise air release rate adjustment, quick deflation, and extreme durability. A rubber-stop prevents valve-lock.
- ∴ Upper housing made of aluminium alloy with a shock absorbing ring protecting indicator and glass.
- ∴ Lower housing is moulded of shockproof plastic with shock absorbing, anti-slip coating.
- ∴ Light alloy, adjustable Spoon. For both right- or left-handed operation.
- ∴ High quality, single-tube cuff with Velcro Fastener. Washable.
- ∴ Ergonomic Design: G7 is perfectly balanced for comfort and ease of use.
- ∴ 10 year warranty.*

*against defects in design, materials and workmanship for a period of 10 years from the date of purchase.

GAMMA G7

complete with adult cuff, in zipper pouch	M-000.09.232
complete with child cuff, in zipper pouch	M-000.09.233
Practice Kit with child, adult and small adult cuff in zipper pouch	M-000.09.554
complete with adult cuff without zipper pouch, box of 10	M-000.09.560



HEINE GAMMA® G5

The HEINE standard sphygmomanometer



∴ Shockproof

∴ Latex-Free

∴ Shock-absorbing Polyamid housing

Combines all the design and quality features of the GAMMA G7, except:

- ∴ **Housing is moulded of shockproof plastic** with shock absorbing, anti-slip coating.
- ∴ **Adjustable Spoon (Polyamid Thermo Plastic)**. For both right or left-handed operation.
- ∴ **5 year warranty.***

*against defects in design, materials and workmanship for a period of 5 years from the date of purchase.

GAMMA G5	
complete with adult cuff, in zipper pouch	M-000.09.230
complete with child cuff, in zipper pouch	M-000.09.231
Practice Kit with child, adult and small adult cuff in zipper pouch	M-000.09.555
complete with adult cuff without zipper pouch, box of 10	M-000.09.561

HEINE GAMMA® GP

HEINE standard sphygmomanometer with push-button valve



∴ Shockproof

∴ Latex-Free

∴ Shock-absorbing Polyamid housing

Combines all the design and quality features of the GAMMA G5, but with a push-button valve:

- ∴ **Innovative push-button valve**. Fine and precise air-release rate adjustment, ultra-fast air-release, practically wear-free. Easy to operate by both left and right-handed users.
- ∴ **5 year warranty.***

*against defects in design, materials and workmanship for a period of 5 years from the date of purchase.

GAMMA GP	
complete with adult cuff, in zipper pouch	M-000.09.242
complete with child cuff, in zipper pouch	M-000.09.243
Practice Kit with child, adult and small adult cuff in zipper pouch	M-000.09.556
complete with adult cuff without zipper pouch, box of 10	M-000.09.562

HEINE GAMMA® XXL LF

The top-quality professional model

Since the GAMMA XXL LF is non-mercurial, it is both safe and environmentally-friendly.



[01]

- ∴ Oversized scale
- ∴ Latex-Free
- ∴ 10 year warranty

- ∴ **Latex-free.**
- ∴ **Durable polycarbonate construction.** Will hold up in the busiest hospital and practice environments.
- ∴ **Oversized 130 mm Diameter Scale.** Can be pivoted for clear, easy reading from any angle.
- ∴ **Long Spiral Inflation Tube (3m).** For increased working distance.
- ∴ **High Quality Indicator.** Precisely-calibrated and durable.
- ∴ **Precision Air-Release Valve.** Fine and precise air release.
- ∴ **Maintenance-free,** precise and durable manometer.
- ∴ **Mercury-free.** Environmentally friendly.
- ∴ **Wall, Desk, Rail and Wheeled Stand.** Adjustable height.
- ∴ **10 year warranty.***

*against defects in design, materials and workmanship for a period of 10 years from the date of purchase.

GAMMA XXL LF	
LF-W Wall [01]	M-000.09.323
LF-S Wheeled Stand [02]	M-000.09.326
LF-R Rail [03]	M-000.09.325
LF-T Desk (non-spiral insufflation tube) [04]	M-000.09.322

Accessories	
Cuff-holder for GAMMA XXL LF-T	M-000.09.141
Desk stand for GAMMA XXL LF-T	M-000.09.142
Adjustable wheeled stand for GAMMA XXL LF-S	M-000.09.145
Universal mounting plate for GAMMA XXL LF-W, -S, -R	M-000.09.306
Rail clamp for GAMMA XXL LF-R	M-000.09.307



[03]



[04]



[02]

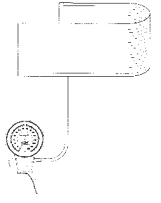
Blood-pressure cuffs and accessories

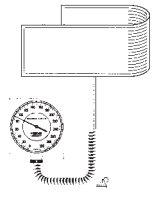
Latex-free blood-pressure cuffs

Cuffs for GAMMA G7/G5/GP/XXL LF sphygmomanometers.



- ✶ Latex-free.
- ✶ Fit the most widely-used sphygmomanometers.
- ✶ High-quality velcro cuffs made of wear-resistant material. Physiologically tested.
- ✶ Double-sewn.
- ✶ Washable.
- ✶ Index mark for exact positioning.
- ✶ Clear indication of size and control mark for arm circumference.
- ✶ Extra-thick, highly-flexible tube. For a long life.
- ✶ Proven reliability. Absolutely airtight system.

	GAMMA G7/G5/GP	Single-tube cuffs (cpl.)			Single-tube bladders		Outer cuffs	
		Size	Circumference/cm		Size		Size	
	Small child	6x28	8–13	M-000.09.700	5x15	M-000.09.661	6x28	M-000.09.059
	Child	10x34	13–20	M-000.09.702	8x20	M-000.09.663	10x34	M-000.09.060
	Small adult	14x53	20–29	M-000.09.704	11x23	M-000.09.664	14x53	M-000.09.061
	Adult	14x58	29–41	M-000.09.619	12x28	M-000.09.665	14x58	M-000.09.055
	Large adult	20x86	>41	M-000.09.615	18x52	M-000.09.667	20x86	M-000.09.057

	GAMMA XXL LF	Twin-tube cuffs (cpl.)			Twin-tube bladders		Outer cuffs	
		Size	Circumference/cm		Size		Size	
	Small child	6x28	8–13	M-000.09.701	5x15	M-000.09.671	6x28	M-000.09.059
	Child	10x34	13–20	M-000.09.703	8x20	M-000.09.673	10x34	M-000.09.060
	small adult	14x53	20–29	M-000.09.705	11x23	M-000.09.674	14x53	M-000.09.061
	Adult	14x58	29–41	M-000.09.629	12x28	M-000.09.675	14x58	M-000.09.055
	Large adult	20x86	>41	M-000.09.625	18x52	M-000.09.677	20x86	M-000.09.057